

Tuning Fork (ZX 3 x 8)



{Features}



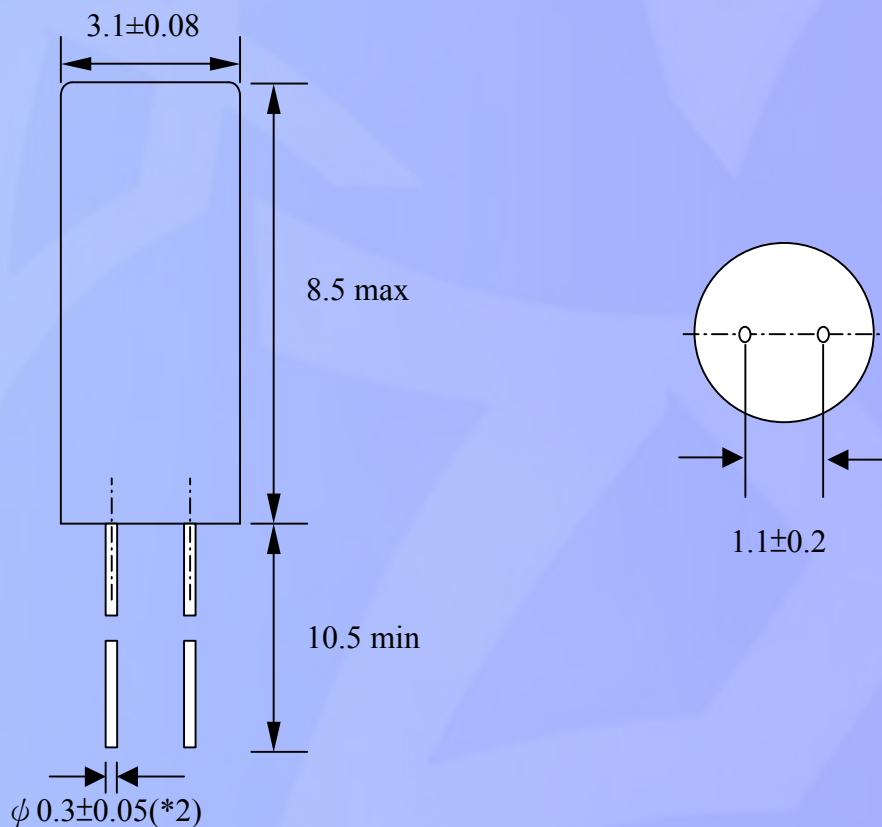
- High stability assured with tight vacuum sealing
- High vibration and shock resistance
- Frequency: 32.768 KHz



Electrical Specification:

Model	ZX 3-8
Frequency	32.768 KHz
Frequency Tolerance	± 20 ppm
Operating Temp Range	-10°C~ +60°C, -20°C~ +70°C
Temperature Coefficient (Frequency)	-0.04 ppm ± 0.006 ppm/°C ² (TYP.)
Load Capacitance	12.5 pF
Drive Level	1uW ~ 10uW
Resonance Resistance	30 KΩ
Shunt Capacitance	5 pF max (TYP.)
Oscillation Mode	Fundamental
Soldering Condition	Under 235°C with 5sec (Do not heat the package to more than 150°C)

Dimensions (mm):



* Above specification subject to change without prior notice, please consult our sales representative for more information
 SHENZHEN \ J CQZKCP ELECTRONICS CO;LTD TEL:0755-27878458 QQ:98; 68; 924 <http://www.jcqzkcpf.com>