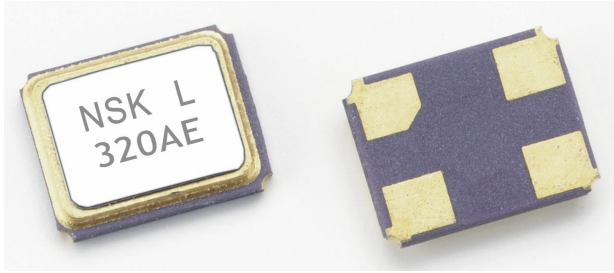


## SMD TYPE CERAMIC (SMD 3.2 x 2.5)



### Application of SMD crystal:

- Radio communication
- TCXO
- Office automation equipment
- GPS
- Audio-visual equipment

### { Features }

Seam welding  
 Excellent solderability  
 Automatic and perfect packing due to emboss taping  
 Excellent vibration resistance & shock resistance  
 Rohs compliant / Pb free



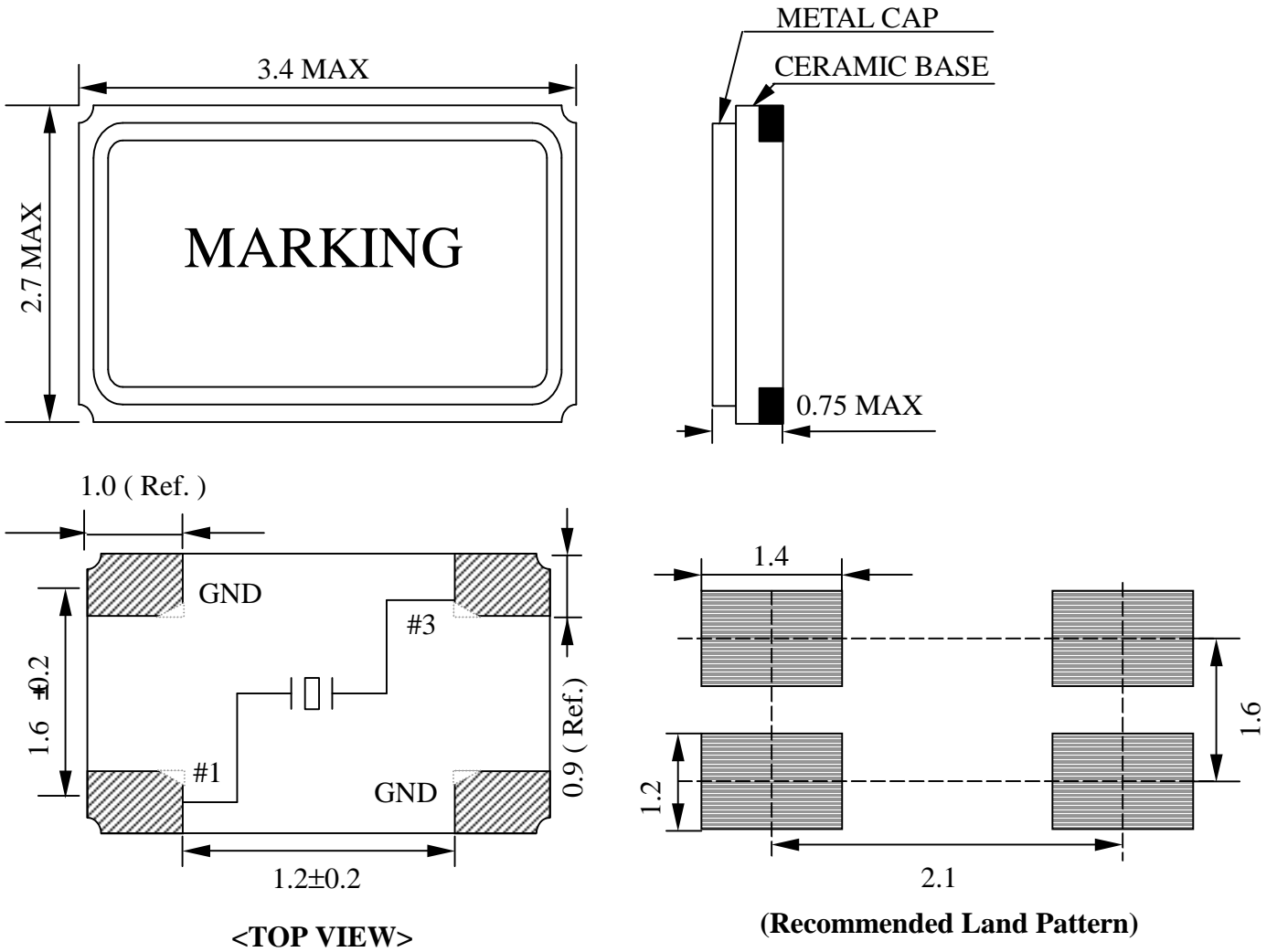
## Electrical Specification:

Model	NXK-32
<b>1.Frequency</b>	
Frequency Range	12.0 ~ 54.000 MHz
Frequency Tolerance at 25 °C ± °C	±0 ~ ±50 ppm (TYP.)
Frequency Stability Over Operating Temp Range	±0 ~ ±50 ppm (TYP.)
<b>2.Environmental Condition</b>	
Operating Temp Range	-10 °C ~ +60 °C, -20 °C ~ +70 °C or customer requirement
Storage Temp Range	-40 °C ~ +85 °C
Aging Rate	±3ppm/year
<b>3.Electrical Specifications</b>	
Test Circuit	S&A 250B
Load Capacitance	6 pF ~ 32 pF, series or special
Drive Level	1uW ~ 100uW or special
Shunt Capacitance	7.0pF max

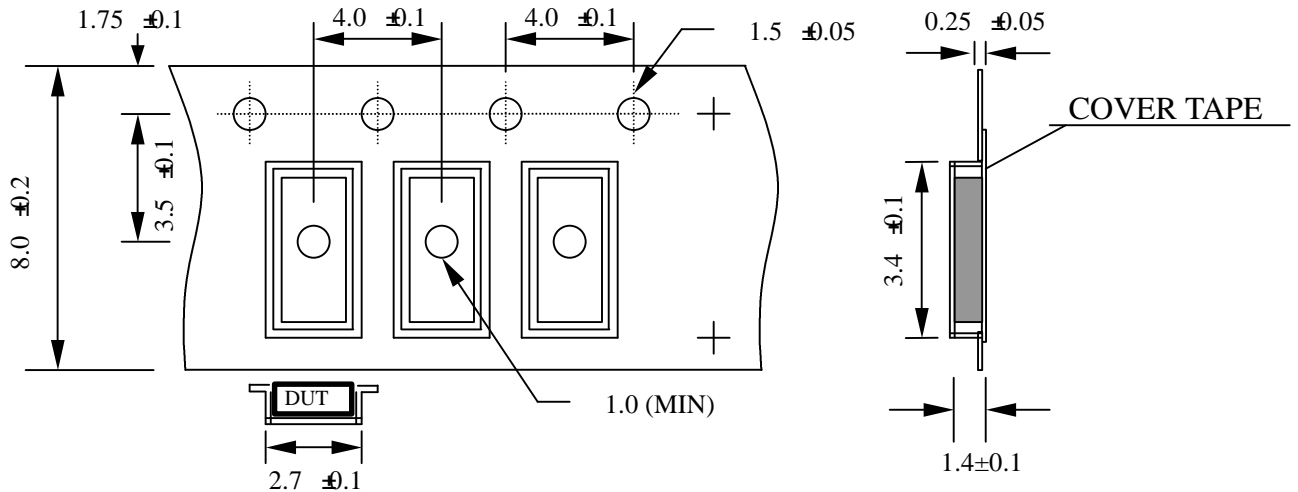
## Equivalent Series Resistance(ESR) VS Frequency:

Frequency (MHz)	Oscillation Mode	NXK-32
12.0 ~ 13.0	Fundamental	120
13.1 ~ 20.0	Fundamental	100
20.1 ~ 26.0	Fundamental	80
26.1 ~ 54.0	3rd overtone	50

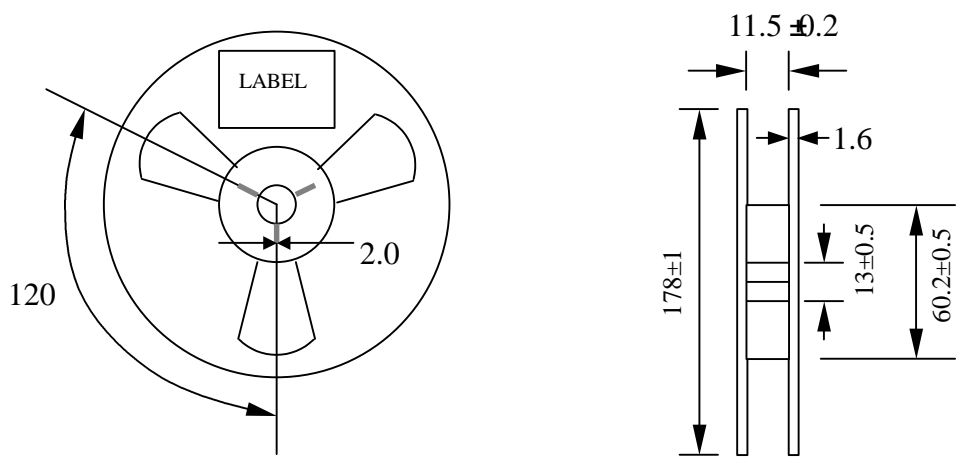
**Dimensions (mm):**



**Tape specification (mm):**



**Reel packing (mm):**



**Reflow Temperature profile:**

